

Owl PTZ II™ – 1080p 30 fps HD-SDI PTZ Camera, 20x Zoom and IR

Features

- 1/3" 2.2 megapixel CMOS image sensor supports Full HD
- HD-SDI and composite (CVBS) output
- Outputs:
 - 1080p: 30/25
 - 1080i: 60/50
 - 720p: 60/50
 - CVBS: NTSC or PAL (4:3)
- Highest ratio of 20x optical zoom (4.7~94 mm, F1.6)
- True D&N IRC (IR Cut Filter Removable)
- Programmable 16 privacy zones
- Preset up to 255 points, 8 Programmable tours, 4 Patterns for 240 seconds
- 8 alarm-in, 2 dry contact relay-out rating 2A@30VAC
- Weather-proof and dustproof IP67 (NEMA 6) outdoor housing
- Twin motorized IR zoom lens for IR intensity and distance adjustment
- Optically perfect flat viewing window prevents blooming and smears
- Operates in extreme temperatures: -50°C to 70°C (-58° F to 158° F)
- Includes 30W heater and cooling fan
- Corrosion-resistant external ABS housing
- Easy installation and maintenance from PTZ docking cradle

Applications

- Law Enforcement (surveillance, etc.)
- Military
- Reality TV
- Industrial use – Factories, labs, etc.



2.2 Megapixel, 1080p, 30 fps, 1/3 Inch Outdoor Infrared PTX (Pan Tilt Zoom) CMOS HD Camera with HD-SDI and Analog CVBS Output. Features 20x Zoom and Twin Motorized IR Zoom Lens. True D&N IRC. Shock Resistant, Weather Resistant, IP67 Certified.

Overview

The Owl PTZ II features an optically correct and distortion free toughened glass viewing window to provide brighter, clearer images, even at full telephoto zoom ratio. Its motorized IR zoom lens offers a rich viewing experience even in total darkness, though smoke, light fog, and in the most adverse weather conditions.

The Owl PTZ II meets the IP67 Ingress Protection standard – which means it is totally protected against dust, and that is submersible and protected against temporary immersion for up to one meter for 30 minutes. It is well protected with internal aluminum die-casting for shock-resistance. The corrosion-resistant external ABS camera housing is factory-sealed and never has to be opened. The power supply and all terminals for video, telemetry data, alarm and network interface are reliably protected in the weatherproof and tamperproof housing.

The camera's precise pan/tilt mechanism gives operators accurate pointing control while providing fully programmable scan patterns and slew-to-alarm functionality. It delivers variable pan/tilt speeds from only 0.1° per second up to 90° per second. The Owl PTZ II is capable of pan speeds of 250° per second between presets.

An extend cable with an included one meter HD-SDI coaxial cable, telemetry data and alarm cable, and power cable, simply links to the installation base unit and the base board. This advanced PTZ mechanism docking structure is also extremely installation-friendly.

Specifications

Mechanical

IR LED	IR motorized Zoom
Pan	0.1°~120°/sec , Preset Speed 250°/sec, Endless rotation
Tilt	-0.8° to 188°/sec. (proportional to zoom)

Video

Image Sensor	1/3 inch 2.2 megapixel CMOS sensor
Effective Pixels	1920 x 1080 pixels
Video Outputs	HD-SDI – One channel (1080i60,1080p30,720p60,1080i50,1080p25, 720p50) CVBS – One channel
Lens	20x zoom F= 4.7 mm (Wide) to 94.0 mm (Tele), F1.6 to F3.5
Digital Zoom	32x (640x with optical zoom)
Angle of View (H)	Approx. 55.4 degrees (Wide end), approximately 2.9 degrees (Tele end) (1080i mode) Approx. 37.6 degrees (Wide end), approximately 2.0 degrees (Tele end) (720p mode)
Min. Working Distance	100 mm (Wide end), 800 mm (Tele end)
PTZ Control	RS-485 (2 wire)
Sync System	Internal
Minimum Illumination	0.5 lux/1/30 sec., 50% (Interlace mode) (High Sensitivity mode ON) 1.7 lux/1/30 sec., 50% (Typical value) 0.26 lux/1/4 sec (NTSC) 1/3 sec (PAL) (Typical value) ICR-ON Mode 0.0005 lux/1/4 sec (NTSC), 1/3 sec (PAL)
Recommended Illumination	100 to 100,000 lux
S/N Ratio	50 dB (Weight ON)
Back Light Compensation	ON/OFF
Electronic Shutter Speed	60/30 mode: 1/1 to 1/10000 sec.(22 steps) 50/25 mode: 1/1 to 1/10000 sec. (22 steps)
White Balance	AUTO, ATW, Indoor, Outdoor, One Push WB, Manual WB, Outdoor Auto, Sodium Vapor
Gain	Auto/Manual (-3 dB to +28 dB, 16 steps)
WDR (Wide Dynamic Range)	ON/OFF/AUTO
Noise Reduction	ON/OFF (level 5 to 1 / OFF, 6 steps)
Color Enhancement	ON/OFF
Privacy Mask	Available, maximum 8 areas (GRAY/WHITE/BLACK)
Aperture Control	16 steps
Serial Interface	VISCA protocol (TTL/CMOS) 9.6 Kbps, 19.2 Kbps, 38.4 Kbps

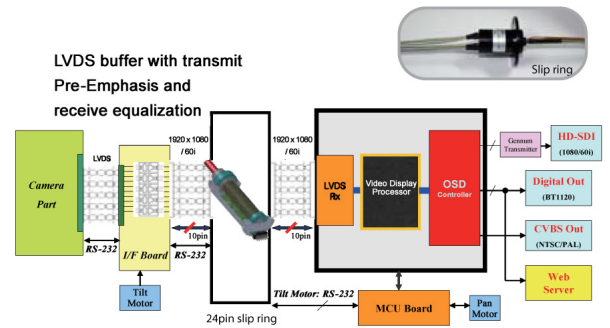
Physical and Power

Power Source	AC21~26V 60 Hz/50 Hz (Power adaptor not included)
Heater and Cooling Fan	30W/10000 RPM Cooling Fan
Operating Temperature	Outdoor: -50°C to 70°C (-58° F to 158° F) with 30W Heater
Operating Humidity	0 to 90% (non-condensing)
Body Construction	IP67 (NEMA 6) fully enclosed/fully sealed submersible; External ABS/Internal Aluminum
Housing	Pendant mount (Wall/Ceiling)
Dimensions	231 mm W x 384.6 mm H x 231 mm D 9.095" W x 15.142" H x 9.095" D
Weight	Approximately 6.4 Kg (14.11 lbs.)
Certifications	FCC, CE, RoHS

Ordering Information

Owl PTZ II: 1080p 30 fps HD-SDI PTZ Camera, 20x Zoom and IR

Block Diagram



Camera Drawings

