

Dark Vu HD™ – Ultra High Sensitivity Color 30 fps HD Camera

Features

- Captures superior color video and images in extreme low light conditions
- Newly developed Ultra-High Sensitivity CMOS Sensor (0.00016 lux F1.4 50%)
- Outputs:
 - 1080p: 30/29.97/25
 - 1080i: 59.94/50
 - 720p: (60/59.94/50/30/29.97/25)
 - SD: CVBS, NTSC or PAL (4:3)
- No cooling system required
- High definition video with HD-SDI output
- Very low noise due to the correlated multiple sampling
- Superior color reproducibility
- Intra-scene Wide Dynamic Range
- Day/Night (IR cut filter) switchable
- Frame rates: 30/29.97/25 fps
- Low power consumption – 6 watts
- Compact size – just over 5-1/2 inches
- ISO9001 and ISO14001 certified

Applications

- Live Evening Events – Sports, concerts, etc.
- Reality TV
- Military surveillance – airborne, marine, etc.
- Law enforcement
- Search and rescue
- Industrial applications – Low light conditions



1.3 Megapixel, 1080p, 2/3 Inch Day/Night Ultra High Sensitivity CMOS HD Camera with SDI and HD-SDI Output. Features Very Low Noise, 30 fps, and 10x Zoom. For Surveillance, Military, and Broadcast.

Overview

The Dark Vu HD is a single-chip color HD/SD camera featuring a newly-developed 1.3 Megapixel ultra high sensitivity CMOS sensor which achieves superb picture quality and wide dynamic range.

The camera can output HD-SDI (59.94i, 50i, 30p, 29.97p, 25p) and NTSC or PAL (4:3) simultaneously. RS-485 is also available.

The camera features a very compact design with low power consumption, and is ideal for surveillance of rivers, coastal regions, and borders.

Example: Image Under Moonlight



**Ordinary
High Sensitivity Camera**

Dark Vu HD

Specifications

Video

| | |
|-------------------------------------|---|
| Image Sensor | 2/3 inch 1.3 megapixel CMOS sensor |
| Effective Pixels | 1280 (H) x 720(V) |
| Pixel Size | 7.1 μm x 7.1 μm |
| Synchronization | Internal and external |
| Video Outputs | 1080: 59.94i/50i/30p/29.97p/25p 720: 60p/59.94p/50p/30p/29.97p/25p SD: CVBS, NTSC/PAL |
| External Control | RS-485 |
| Horizontal Resolution | 650 TV lines or more |
| Sensitivity | F22 at 2000 lux |
| Minimum Illumination | 0.00016 lux at F1.4 50% Theoretical value |
| Auto Iris | DC iris |
| AGC (Auto Gain Control) | ON (AGC/Hyper-AGC)/OFF (LOW/MIDDLE/HIGH) |
| Electrical Shutter | OFF, 1/100, 1/125, 1/250, 1/500, 1/1000, 1/2000, 1/4000, 1/10000, Variable |
| Automatic Electrical Shutter | Fast, Slow, Response |
| Slow Shutter | X1, x2, x4, x6, x8, x12, x16, x24, x32, x64, OFF/AUTO (S/N, STD, MOVE)/MANUAL |
| Backlight Compensation | Selectable 9 x 5 areas |
| White Balance | ATW1, ATW2, AWC, Manual |
| WDR (Wide Dynamic Range) | OFF/WDR/AUTO KNEE/AUTO BACK STRETCH |
| Defog | OFF/ON |
| Gamma Correction | 0.45/0.75/1 |
| Noise Reduction | Available |
| Electrical Zoom | x1, x2, x3, x4, x5, x6, x7, x8, x9, x10 |
| Privacy Mask | Available, maximum 8 areas (GRAY/WHITE/BLACK) |
| Focus EZ | Available |
| Camera ID | Available, maximum 24 characters |
| Image Flip | Normal/Flip/Mirror/Flip & Mirror |

Lens

| | |
|-------------------------|-------------------------------------|
| Lens Mount | CS mount |
| Lens Flange Back | Available with adjustment mechanism |

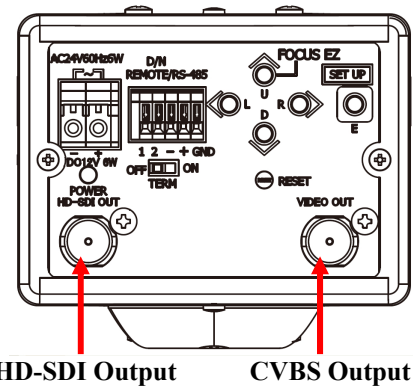
Physical and Power

| | |
|------------------------------|--|
| Power Requirement | DC12V/AC24V |
| Power Consumption | 6 watts |
| Operating Temperature | -10°C ~ +50°C (14°F ~ 122°F) |
| Operating Humidity | 30 to 90% (non-condensing) |
| Dimensions | 78 mm W x 58 mm H x 140 mm D 3.07 " W x 2.28" H x 5.51" D |
| Weight | Approximately 650 grams (1.433 lbs.) |
| Certifications | FCC, CE, RoHS |

Ordering Information

Dark Vu HD: 1.3 Megapixel Ultra High Sensitivity Camera (Lens not included)

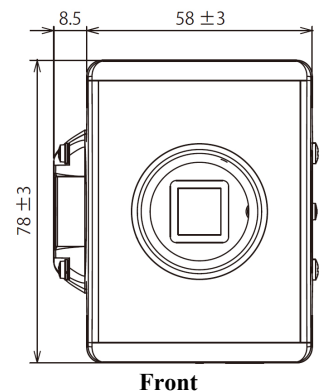
Connectors



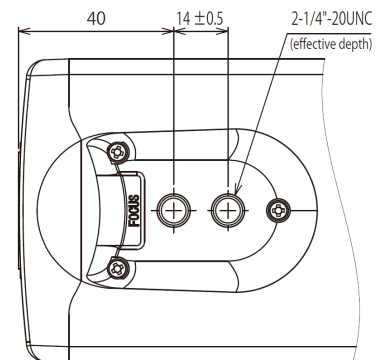
HD-SDI Output

CVBS Output

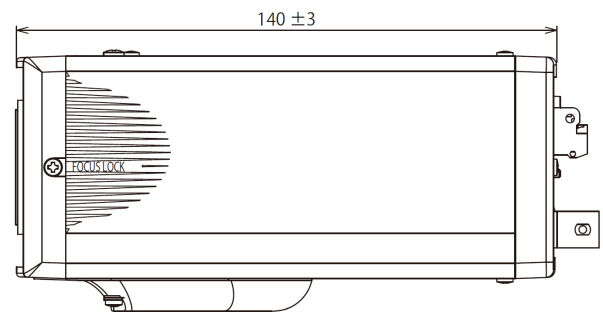
Camera Drawings



Front



Top



Side