

Butterfly HDMI+HD-SDI™ – 2.2 Megapixel Day/Night Mini Camera

Features

- 2.2 Megapixels
- Full HD (1920x1080@30 fps) and HD (1280x720@60 fps)
- Output: HDMI, HD-SDI (720p 60 and 1080p 30), or Composite (CVBS)
- 1/3 inch Panasonic CMOS sensor
- Image enhancement with DNR (Digital Noise Reduction) and WDR (Wide Dynamic Range)
- Progressive Scan
- Day/Night mode and auto-switch
- Ideal for Low Light Conditions – Minimum Illumination is 1.0 Lux for Color, 0.05 Lux in Night Mode
- Compact Size – 2.48 Inches High (63 mm)
- OSD (On Screen Display)
- C/CS Mount
- Aluminum Housing
- CE and RoHS Certified

Applications

- Surveillance
- Military
- Live Evening Events – Sports, concerts, etc.
- Reality TV
- Industrial applications – Low light conditions
- Medical/Scientific Imaging



2.2 Megapixel, 1080p, 1/3 Inch Day/Night CMOS Progressive Scan HD Camera with HDMI, HD-SDI, and Composite Output. Features 32x Zoom. Compact Size – 2.48 Inches High (63 mm). For Surveillance, Military, and Broadcast.

Overview

HDMI is proven technology evolved from the broadcast industry, supporting up to Full HD resolution (1920 x 1080) at 30 FPS over standard cables.

HD-SDI is uncompressed digital video over coaxial cables with virtually no latency.

HD-SDI offers 6 times the resolution of analog and in many cases existing cable infrastructure can be reused. It supports up to 300 feet over standard RG59 and with low-cost repeaters it supports well over 1000 feet.

This camera uses a 1/3 inch 2.2 megapixel Panasonic sensor and is able to create a picture with 16,777,216 colors at 30 full HD frames per second.

Specifications

Video

Image Sensor	1/3 inch 2.2 megapixel Panasonic CMOS sensor
Total Pixels	2010 (H) x 1108 (V)
Active Pixels	1944 (H) x 1092 (V)
Scanning System	Progressive
Resolutions	Digital 1920x1080 (1080p30), 1280x720 (720p60), Analog 700TVL
Minimum Illumination	Color 1.0 lux; B/W 0.5 lux; Color DSS 0.002 lux; B/W DSS 0.001 lux
S/N Ratio	>50db (AGC off)
Video Output	HD-SDI, HDMI, or Composite

Lens

Lens Mount	C/CS Mount
Shutter Speed	Auto / Manual (1/30 or 1/25 ~ 1/60,000)

Operational

On Screen Display	English
OSD Text	0 ~ 9, A ~ Z, a ~ z
DSS (Digital Slow Shutter)	OFF, x2, x3, x4
AGC (Automatic Gain Control)	OFF / ON
WDR / BLC	OFF / WDR / BLC
Day / Night	Auto / Day / Night / Ext
Smart IR	OFF / ON
White Balance	Auto / Preset / Manual / Indoor / Outdoor
Sharpness	0 ~ 10 steps
Mirror	OFF / H / V / H&V
Freeze	OFF / ON
Digital Zoom	32x
HLC (High Light Compensation)	OFF / ON
ACE (Advanced Contrast Enhancement)	OFF / ON
DNR (Dynamic Noise Reduction)	OFF / Low / Middle / High / Auto
D. Compress	OFF / ON
Privacy Mask	OFF / ON (32 points)
Motion	OFF / ON (4 points)
Shade Detection	OFF / ON
Shading	OFF / ON
Defect Detection	OFF / ON
Defog	OFF / ON
Pattern Generator	OFF / ON
CVBS (Composite Out)	OFF / ON

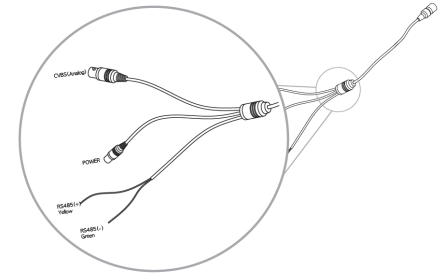
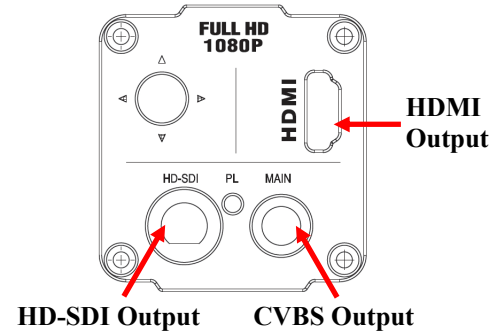
Communication

ID	1 ~ 255
RS-485	Baudrate: 2400, 4800, 9600, 19200, 38400, 57600, 115200
Protocol	Pelco-P; Pelco-D

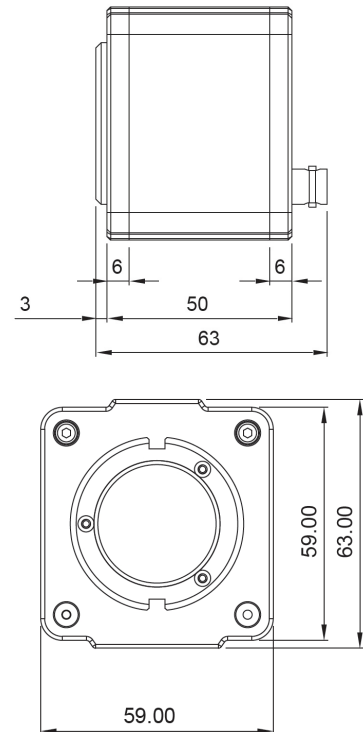
Physical and Power

Input Voltage and Current	12VDC ±10%; 250mA
Maximum Power Consumption	3 watts
Operating Temperature	-10°C ~ +50°C, 0% ~ 80% Relative Humidity
Storage Temperature	-20°C ~ +60°C, 0% ~ 90% Relative Humidity
Housing	Aluminum Housing
Dimensions	59 mm W x 63 mm H x 80 mm L 2.32" W x 2.48" H x 3.15" L
Weight	Approximately 40 grams (1.41 ounces)
Certifications	FCC, CE, RoHS

Connectors



Camera Drawings



Ordering Information

Butterfly HDMI+HD-SDI: 2.2 Megapixel Mini Camera (Lens not included)